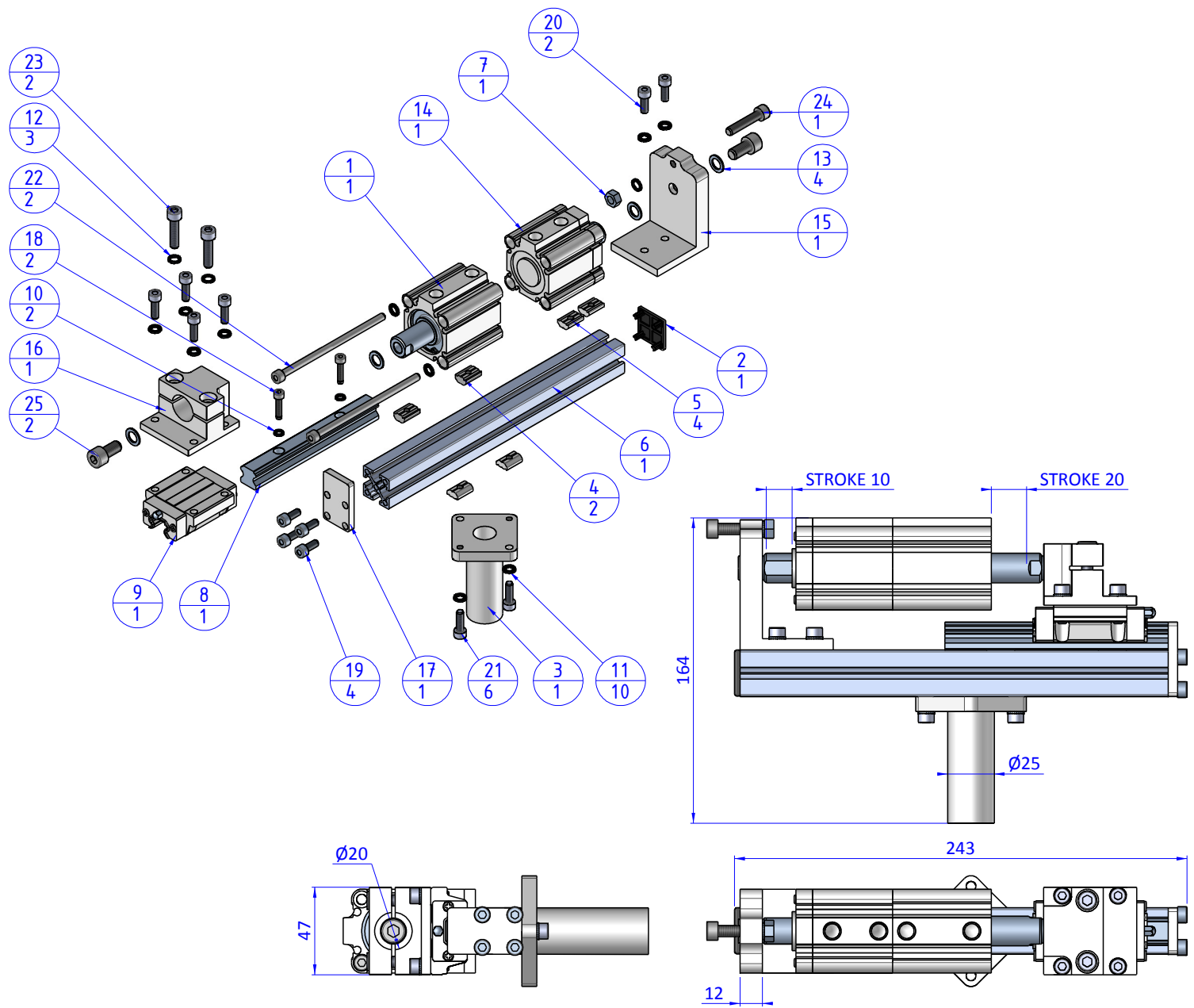



THE PROPERTY OF THE DRAWING IS ESTABLISHED BY LAW. IT IS FORBIDDEN TO PRODUCE OR SHOW IT TO THIRD PART, WITHOUT A WRITTEN AGREEMENT.

Item	Name	Q.ty
1	CA.11.18.010	1
2	CA.ADK.X.2525.1	1
3	CA.ADZ.32.25	1
4	CA.GWP.4U	2
5	CA.GWP.5U	4
6	CA.X.2525.230	1
7	D.6	1
8	HI.HGR15R120	1
9	HI.HGW15CCZ0H	1
10	R.4.SCH	2
11	R.5.SCH	10
12	R.6.SCH	3
13	R.8.SCH	4
14	SMC.CDQ2KB3210DZ	1
15	UDHE.32.01	1
16	UDHE.32.02	1
17	UDHE.32.04	1
18	V.TCE4x18	2
19	V.TCE5x12	4
20	V.TCE5x14	2
21	V.TCE5x16	6
22	V.TCE5x100	2
23	V.TCE6x25	2
24	V.TCE6x30	1
25	V.TCE8x16	2



Format A3
UNI 936-76

 FPS FPSERVICES AUTOMATION		DESIGNED FROM		REVIEW
		FPS Automation		A
GENERAL TOLERANCE		DATE	WEIGHT	
UNI - ISO 2768		05/06/2019	0,429kg	
CLASSE f		CODE		
		CA.UDHE.32102020		CA.UDHE.32102020